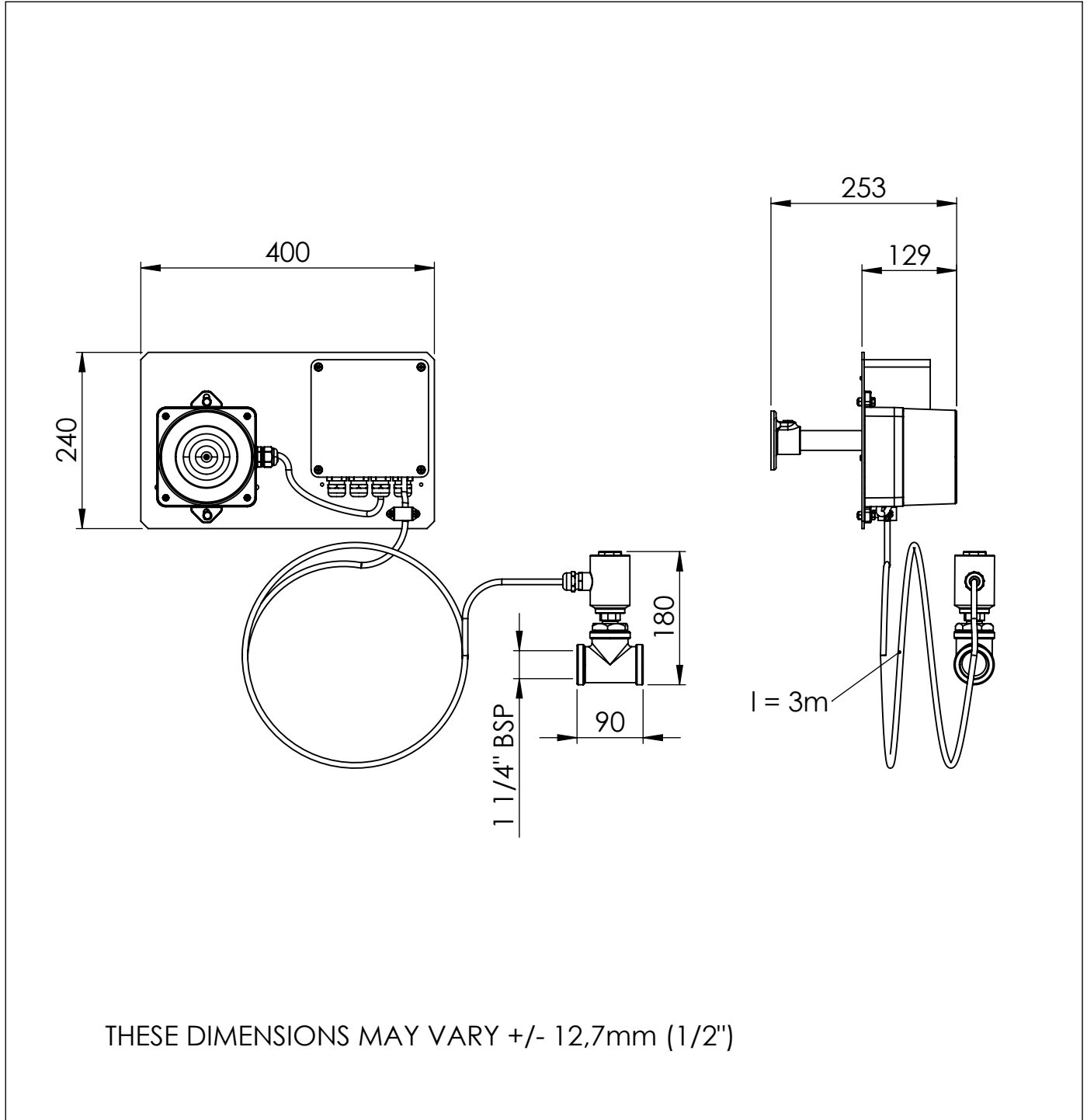


HAWS AG • Bachweg 3 • CH-3401 Burgdorf • Switzerland • www.haws.ch
HAWS Corporation • P.O.Box 2070 • 1455 Kleppe Lane • Sparks, Nevada 89431/USA • www.hawsc.com

Model **9001.230V.DPDT Alarm Unit 230V**

No. 2080206/1

Important: please keep these instructions for maintenance purposes.



HAWS AG • Bachweg 3 • CH-3401 Burgdorf • Switzerland • www.haws.ch
 HAWS Corporation • P.O.Box 2070 • 1455 Kleppe Lane • Sparks, Nevada 89431/USA • www.hawesco.com

Model **9001.230V.DPDT Alarm Unit 230V**

No. 2080206/1

RECOMMENDED TOOLS

Pipe joint sealant, screwdriver, pipe wrench, 14 AWG wire, cable conduit and basic electricians tools for power cable connection.

LOCATION OF UNIT

The Alarm unit may be mounted directly to the upper stand pipe of a safety shower or wall mounted next to a shower or eyewash. The Alarm should be clearly visible from several directions.

ELECTRICAL SUPPLY

230V 50Hz / 60 Hz

WATER SUPPLY

The flow switch requires a minimum of 10.0 - 11.4 l/min (2.64 - 3.01 US GPM). Mount flow switch in supply line with flow in horizontal direction. Mount switch at least 150mm (6") of straight pipe on both sides to minimize turbulence in switch.

TROUBLESHOOTING	
PROBLEM	REPAIR CHECKLIST
1. Alarm horn and light do not operate	a. Check incoming circuit for power and power from flow switch. b. Check fuse inside horn enclosure. c. Check that the direction of water flow corresponds to the arrow on the flow switch body. d. Check that water flow is sufficient. e. Check all electrical connections for security, including those in alarm base. f. Faulty flow switch. Replace entire switch assembly. g. Faulty flasher module in alarm. Replace flasher module.
2. Horn sounds but light does not flash.	a. Replace light bulb b. Should replacement lamp also fail to operate, replace flasher module.
3. Lamp replacement.	a. Remove the guard from the light fixture, and then unscrew the glass lens to replace the lamp.
4. Alarm stays on.	a. Check wiring connections. b. Disconnect flow switch wires and test for continuity.

INSTALLATION PROCEDURE

- Step 1: Choose a location for mounting the flow switch in the water supply line. The inlet and outlet ports of the flow switch must be a minimum of 155mm from any tees or elbows in the water supply line. See attached installation drawing.
- Step 2: Mount the flow switch assembly in the water supply line. The switch body must be in the vertical position with the water pipe horizontal. The water flow must be in the direction marked by the arrow on the flow switch body. Use Teflon tape or pipe sealing compound on all water pipe connections.
- Step 3: Choose a location for mounting the alarm assembly. The alarm housing should be positioned along a vertical axis at least 2.2m above ground for best visibility. The alarm may be mounted directly to a water pipe using the supplied bracket, U-bolt, washers and nuts. The alarm can also be bolted to a flat surface such as a wall, using the supplied wall-mounting bracket with appropriate fasteners (not supplied).
- Step 4: Connect power to terminal blocks 1 and 2 for the alarm. Terminal blocks 5 and 6 may be used for remote alarm actuation. Refer to wiring diagram on installation drawing.

OPERATION AND TEST INSTRUCTIONS

Test weekly. Instruct all employees in the use of emergency showers and eyewashes.

- Step 1: Apply power to the alarm branch circuit. The alarm should remain OFF
- Step 2: Open the shower or eyewash flow valve. The alarm should sound and the light should flash shortly after water flows from the system.
- Step 3: Shut off the flow valve. The light and horn should turn off.